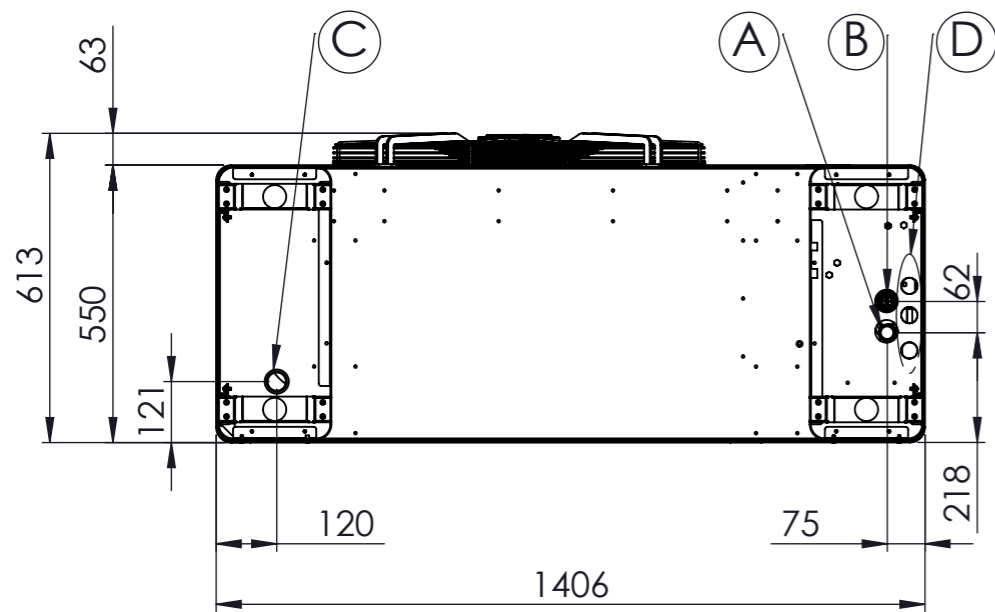
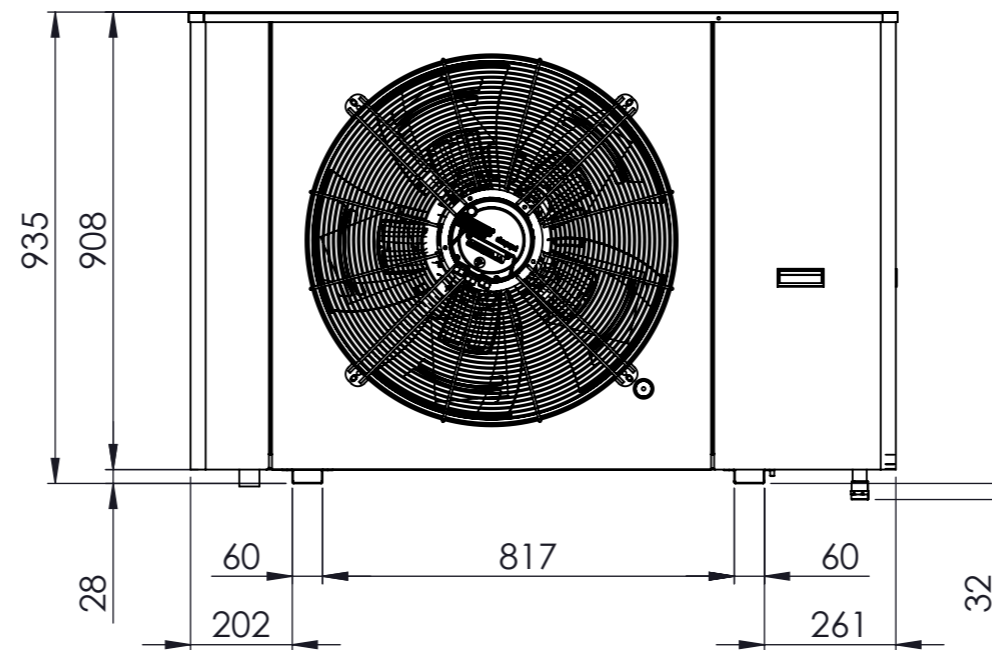
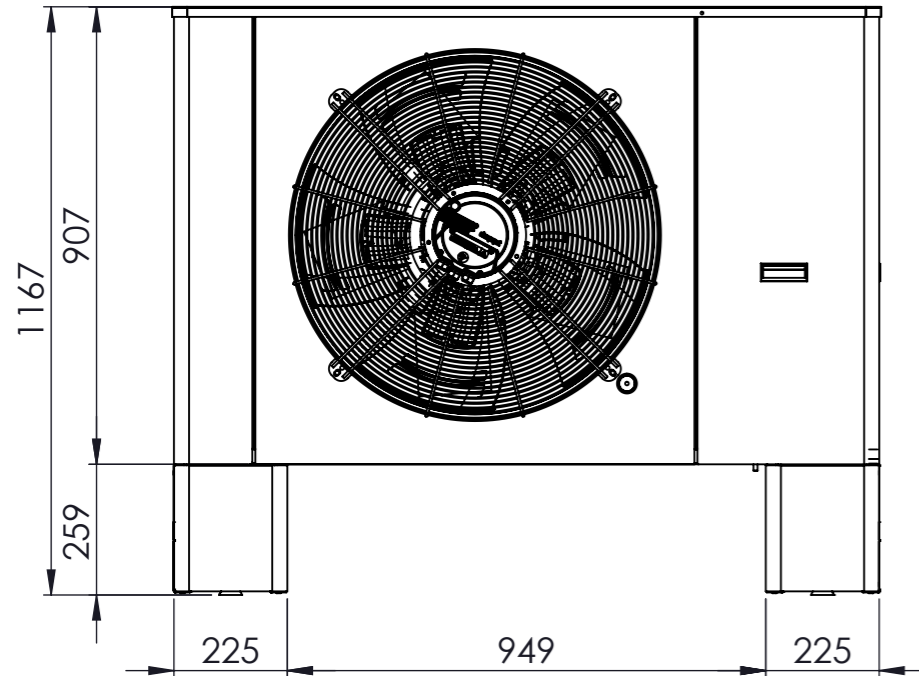
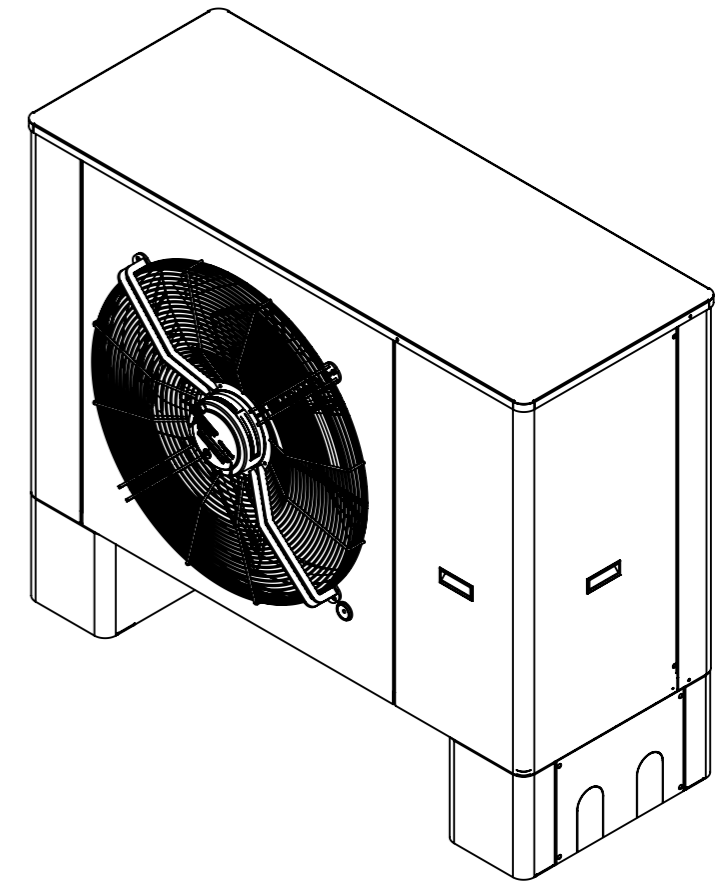
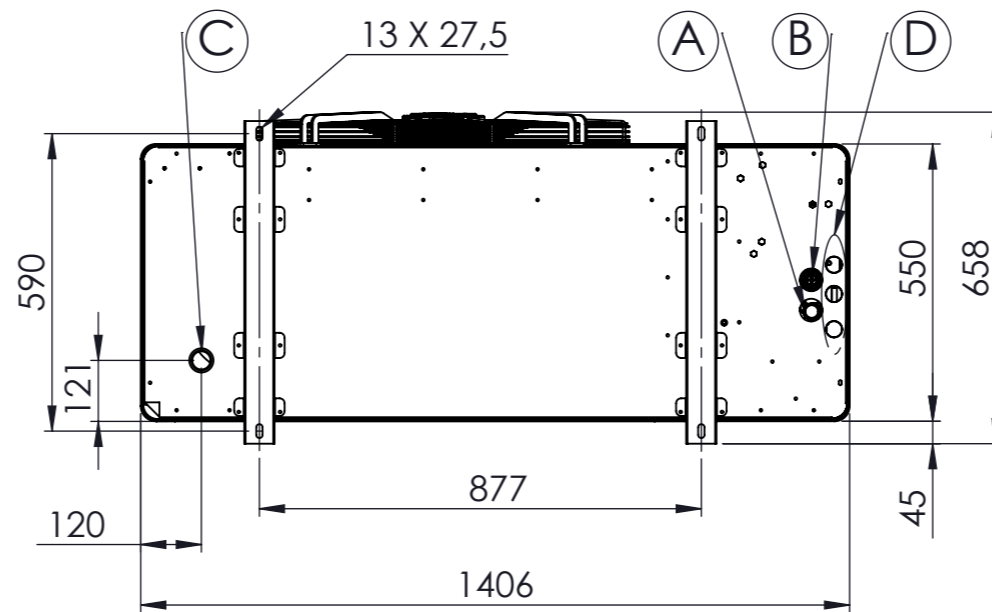


**WITH LEGS**  
*CON GAMBE*



**WITH BRACKETS**  
*CON STAFFE*



- Ⓐ water inlet / *ingresso acqua*  
connection / *raccordo*:  $\phi$  1"
- Ⓑ water outlet / *uscita acqua*  
connection / *raccordo*:  $\phi$  1"
- Ⓒ condensate drain / *scarico condensa*  
outer diameter / *diametro esterno*: 40mm
- Ⓓ electrical wiring / *passaggio cavi elettrici*



TEMPLARI SRL - HEAT PUMP TECHNOLOGY  
Via Pitagora, 20A - 35030 Rubano (PD)  
Tel. +39 049 5225929 - www.templari.com

DESCRIPTION:

KITA S  
COMPACT VERSION  
(MONOBLOCCO)

DRAWN BY: Giovanni B.

DATE: 09/03/2020